

# FURUNO

**AIS**  
Automatic Identification System



Model:  
FA-170

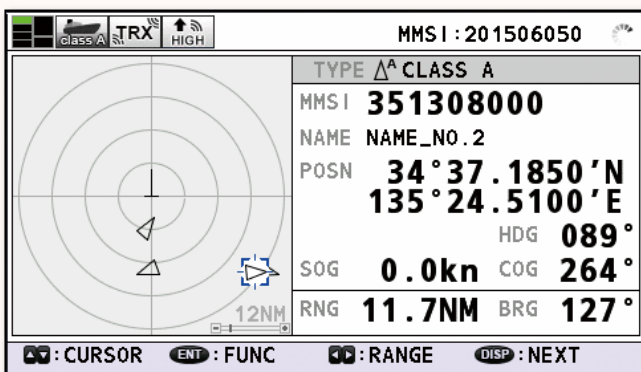
# The FURUNO FA-170 AIS presents data for collision avoidance with its easy-to-use interface

**AIS**  
Automatic Identification System



- ▶ Class A AIS transponder
- ▶ Clear 4.3" color display
- ▶ Displays information about the AIS-equipped ships, as well as, coastal stations and Aids to Navigations within VHF coverage
- ▶ Outputs AIS data to ECDIS, radar and other navigational equipment for collision avoidance support
- ▶ Sufficient output ports for dual configuration of ECDIS and radar system
- ▶ LAN interface available for efficient network integration into a bridge system
- ▶ BAM (Bridge Alert Management) ready  
Meets the specific requirements for alerts and interconnection with Bridge Alert Management as specified in IMO MSC.302 (87).
- ▶ Optional pilot plug available
- ▶ Receives AIS-SART signals for assisting in streamlining SAR activities

## Plotter display



Displays symbols for AIS-equipped ships, base stations, AIS-SARTs, and so on. When you select a certain target, the information about the ship (MMSI (or name, when available), heading, SOG, COG, etc.) is displayed.

### AIS symbols

	Own ship symbol		AIS base station		AIS-SART/AIS MOB/EPIRB-AIS
	Target		Aid to Navigation (physical)		SAR aircraft
	Selected target		Aid to Navigation (virtual)		SAR vessel

## Target list

The FA-170 can store up to 2048 AIS targets and AIS-SARTs.

NAME/MMSI/TYPE	RNG [NM]	BRG [°]	AGE [']
300000001	1.0	000.0	1
DUMMY_NAME_NO.2	1.1	010.0	2
DUMMY_NAME_NO.3	1.2	020.0	3
BS:300000004	1.3	030.0	4
{SAR/AIRCRAFT}	1.4	040.0	5
{SAR/YESSEL}	1.5	050.0	6
300000007	1.6	060.0	7
DUMMY_NAME_NO.8	1.7	070.0	8

### Quick-access functions

When you select one target from the list and press [ENT] key, the pop-up window is generated.

FUNCTION
: NEW MSG
: VIEW DETAIL
: SORT (NORMAL)
: NAME REQUEST (DANGER)

NEW MSG (TEXT)
MSG TYPE : ADDRESSED
TO : 300000003 (DUMMY_NAME_NO.03)
CH : ALTERNATE
TEXT : ( / B/S)

TARGET DETAIL
RNG : 1.01NM
BRG : 0.0°
POSN : 34°45.0000'N
135°21.3000'E
ROT : 0.0°/min
SOG : 10.0kn
COG : 135.0°

The FA-170 displays the detailed information on the selected target. Also, you can create an AIS message or send a name request to the target ship.

## Dangerous target list

The dangerous target list displays the name and particulars of targets classified as dangerous targets.

NAME/MMSI/TYPE	RNG [NM]	BRG [°]	AGE [']
300000001	1.0	000.0	1
DUMMY_NAME_NO.2	1.1	010.0	2
DUMMY_NAME_NO.3	1.2	020.0	3
BS:300000004	1.3	030.0	4
{SAR/AIRCRAFT}	1.4	040.0	5
{SAR/YESSEL}	1.5	050.0	6
300000007	1.6	060.0	7
DUMMY_NAME_NO.8	1.7	070.0	8

## Own ship information

Displays own ship's position, heading, ROT, COG, SOG, destination, ship size, MMSI, name, and so on.

OWN INFORMATION
UTC : 31/JUL/2015 12:00:00
POSN : 34°44.5005'N
135°21.3021'E
ROT : 0.0°/min
SOG : 12.3kn
SHIP SIZE : 120m x 60m
SHIPNAME : SHIPNAME
MMSI : 201506050

DESTINATION LIST
01: KOBLE
02: YOKOHAMA
03: BUSAN
04: SEATTLE
05: SAN FRANCISCO
06: BRISBANE
07: = NO ENTRY =
08: = NO ENTRY =

When you enter the voyage-related data, you can select a destination from the list. Up to 20 destination names can be preset on the list. Cut, copy and paste functions are available while editing the list.

## Alert list

Displays all (current and past) alerts

ALERT
30/JAN 17:20 TX MALFUNCTION
29/JAN 17:20 ANTENNA VSWR EXCEEDS LIMIT
28/JAN 17:20 RX CHANNEL 1 MALFUNCTION
27/JAN 17:20 RX CHANNEL 2 MALFUNCTION
26/JAN 17:20 GENERAL FAILURE
25/JAN 17:20 ACTIVE AIS-SART

ALERT
01: 01/APR 10:49 TX MALFUNCTION
02: 01/APR 10:48 TX MALFUNCTION
03: 01/APR 10:47 TX MALFUNCTION
04: 01/APR 10:46 TX MALFUNCTION
05: 01/APR 10:45 TX MALFUNCTION
06: 01/APR 10:44 ANTENNA VSWR EXCEEDS LIMIT

## Short safety-related messages

MSG BOX (TEXT)
08/APR 09:45 200000000
08/APR 09:44 200000001
08/APR 09:43 200000002
08/APR 09:42 200000003
08/APR 09:41 200000004
08/APR 09:40 200000005
08/APR 09:39 200000006

Short safety-related messages can be exchanged with a specified MMSI or all AIS-equipped ships via VHF channels. The FA-170 can store up to 20 transmitted, as well as up to 20 received messages.

INBOX MSG DETAIL (TEXT)
MSG TYPE : ADDRESSED
TO : 300000003 (DUMMY_NAME_NO.03)
CH : ALTERNATE
TEXT : 08/APR 09:45
FROM : 200000000

NEW MSG (TEXT)
MSG TYPE : ADDRESSED
TO : 300000003 (DUMMY_NAME_NO.03)
CH : ALTERNATE
TEXT : ( / B/S)

When you select one message and press [ENT] key, the pop-up window is generated where the message contents can be viewed and reply messages can be created for transmission.



# SPECIFICATIONS

## GENERAL

Product Name	U-AIS TRANSPONDER
Reporting capacity	2250 reports per minute on 1 channel 4500 reports per minute on 2 channels
Standards	IMO MSC.74(69) ANNEX 3, IMO MSC.302(87), IMO A.694(17), IMO MSC.191(79), ITU-R M.1371-5, DSC ITU-R M.825-3, IEC61993-2 Ed. 2, IEC60945 Ed. 4 CORRIGENDUM 1, IEC 62288 Ed. 2, IEC 61162-1 Ed. 4, IEC 61162-2 Ed. 1, IEC61162-450 Ed. 1

## TRANSPONDER UNIT

TX/RX frequency	156.025 to 162.025 MHz
Bandwidth	25 kHz
Output power	1 W or 12.5 W selectable
DSC receiver	156.525 MHz, CH70 fixed

## INTERFACE

COM port	6 ports input/output, IEC61162-1 Ed. 4 / IEC61162-2 Ed. 1
SENSOR port	3 ports input only, IEC61162-1 Ed. 4
LAN	1 port, IEC61162-450 Ed. 1, 100 Base-TX, Auto MDI/MDIX
Alarm output	1 port, Relay contact (select from Normally closed (default) or Normally open), Alarm ACK

## GPS RECEIVER

Receiving channels	12 channels parallel, 12 satellites tracking
RX frequency	1575.42 MHz
RX code	C/A code
Position accuracy	GPS: less than 13 m (2 drms, HDOP<4) DGPS: less than 5 m (2 drms, HDOP<4)

## VHF ANTENNA

50 Ω Single dipole antenna
----------------------------

## MONITOR UNIT

Screen size	4.3-inch color LCD, 480 x 272 dots (WQVGA)
Viewing area	95.04 (W) x 53.856 (H) mm
Brightness adjustment	18 steps

## POWER SUPPLY

Transponder unit	12-24 VDC 6-3 A
Monitor unit	12 VDC 0.3 A max. (supplied by Transponder unit)
AC/DC Power Supply Unit PR-240 (option)	100/110/200/220 VAC, 1ø, 50/60 Hz

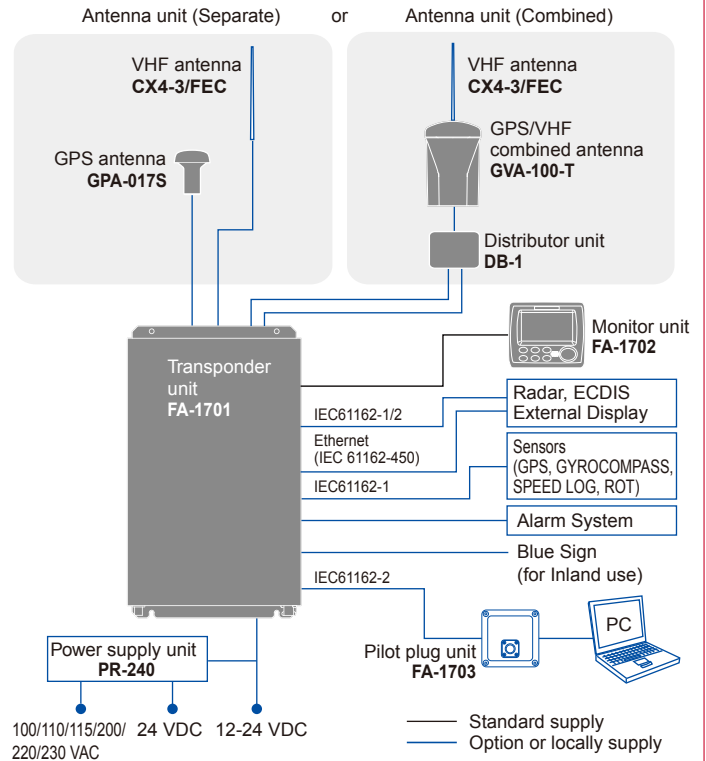
## ENVIRONMENT

Ambient Temperature	Transponder unit/Monitor unit/ Pilot plug unit/Power supply unit	-15 to +55°C
Relative humidity	GPS/VHF combined antenna/GPS antenna	-30 to +70°C
Degree of protection	Transponder unit	IP22 at bulkhead mount, IP20 at floor
	Monitor unit	IP22, IP35 with optional Waterproofing kit
	Pilot plug unit	front panel: IP22
	Power supply unit	IP22
	GPS/VHF combined antenna/GPS antenna	IP56
Vibration	IEC60945 Ed.4	

## EQUIPMENT LIST

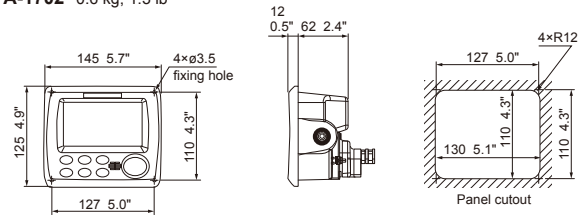
Standard			
1	Transponder unit	FA-1701	1 unit
2	Monitor unit	FA-1702	1 unit
3	GPS/VHF combined antenna and Distributor unit	GVA-100-T and DB-1	1 set
4	GPS antenna	GPA-017S	1 unit
} Selectable			
Option			
1	Antenna cable kit for GPS/VHF combined antenna or GPS antenna (30/40/50 m)		
2	Antenna base (for pipe mount/offset bracket/deck mount/handrail mount)		
3	VHF antenna	CX4-3/FEC	
4	Power supply unit	PR-240	
5	Pilot plug unit	FA-1703	
6	AD converter	AD-100	
7	Sub monitor unit	FA-1702	
8	Flush mount kit for Monitor unit	OP24-35	
9	Monitor flush mount kit for retrofitting from FA-150	OP05-140	
10	Waterproofing kit for Monitor unit (IP35)	OP05-139	

# INTERCONNECTION DIAGRAM



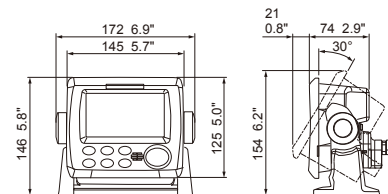
## Monitor unit (flush mount)

FA-1702 0.6 kg, 1.3 lb



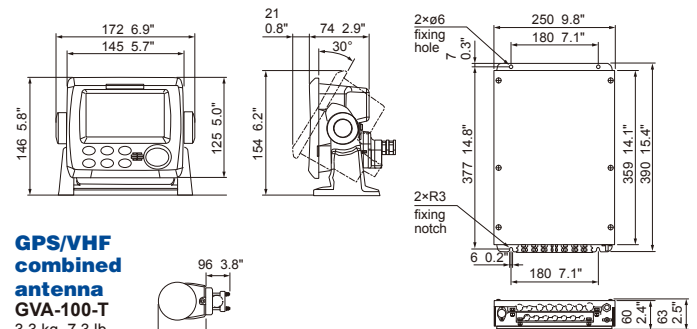
## Monitor unit (hanger)

FA-1702 0.7 kg, 1.5 lb



## Transponder unit

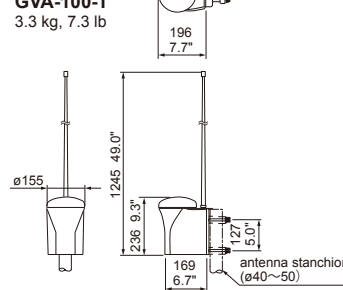
FA-1701 3.0 kg, 6.6 lb



## GPS/VHF combined antenna

GVA-100-T

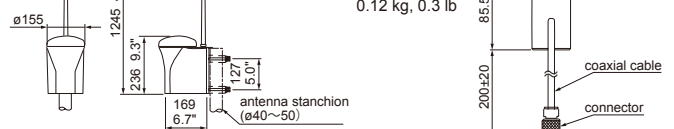
3.3 kg, 7.3 lb



## GPS antenna

GPA-017S

0.12 kg, 0.3 lb



All brand and product names are registered trademarks, trademarks or service marks of their respective holders.  
 SPECIFICATIONS SUBJECT TO CHANGE WITHOUT NOTICE

**FURUNO ELECTRIC CO., LTD.**  
 Nishinomiya, Hyogo, Japan  
 www.furuno.com

**FURUNO U.S.A., INC.**  
 Camas, Washington, U.S.A.  
 www.furunousa.com

**FURUNO (UK) LIMITED**  
 Havant, Hampshire, U.K.  
 www.furuno.co.uk

**FURUNO NORGE A/S**  
 Ålesund, Norway  
 www.furuno.no

**FURUNO DANMARK A/S**  
 Hvidovre, Denmark  
 www.furuno.dk

**FURUNO SVERIGE AB**  
 Västra Frölunda, Sweden  
 www.furuno.se

**FURUNO FINLAND OY**  
 Espoo, Finland  
 www.furuno.fi

**FURUNO POLSKA Sp. z o.o.**  
 Gdynia, Poland  
 www.furuno.pl

**FURUNO DEUTSCHLAND GmbH**  
 Rellingen, Germany  
 www.furuno.de

**FURUNO FRANCE S.A.S.**  
 Bordeaux-Mérignac, France  
 www.furuno.fr

**FURUNO ESPAÑA S.A.**  
 Madrid, Spain  
 www.furuno.es

**FURUNO ITALIA S.r.l.**  
 Genoa, Italy

**FURUNO HELLAS S.A.**  
 Glyfada, Greece  
 www.furuno.gr

**FURUNO (CYPRUS) LTD**  
 Limassol, Cyprus  
 www.furuno.com.cy

**FURUNO EURUS LLC**  
 St. Petersburg, Russian Federation  
 www.furuno.com.ru

**FURUNO SHANGHAI CO., LTD.**  
 Shanghai, China  
 www.furuno.com/cn

**FURUNO KOREA CO., LTD.**  
 Busan, Korea

**FURUNO SINGAPORE PTE LTD**  
 Singapore  
 www.furuno.sg